



Hard chrome griddle



CMG 410 SLRC



Hard chrome gas griddle, 1/2 smooth, 1/2 ribbed

- Steel plate, 1/2 smooth, 1/2 ribbed, 12 mm thick.
- 30 μ (micron) hard chrome coating.
- Cooking surface: 367 x 495 mm (18 dm²).
- Power: 6 kW.
- Thermostatic control 100-300°C.
- Safety thermocouple.
- Electric ignition via push-button on the front. Power supply: 230 V.
- Supplied without runners. Open base.

CMG410SLRC

L 400 – D 650 – H 900

- Option: door.

CPM 400

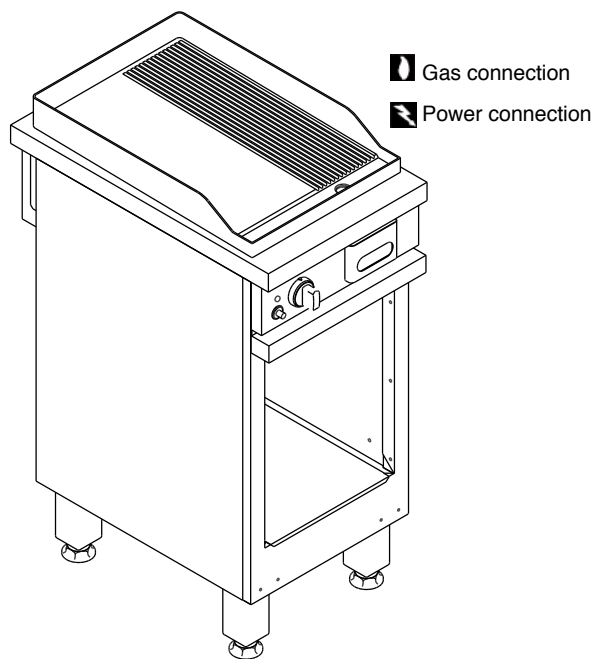
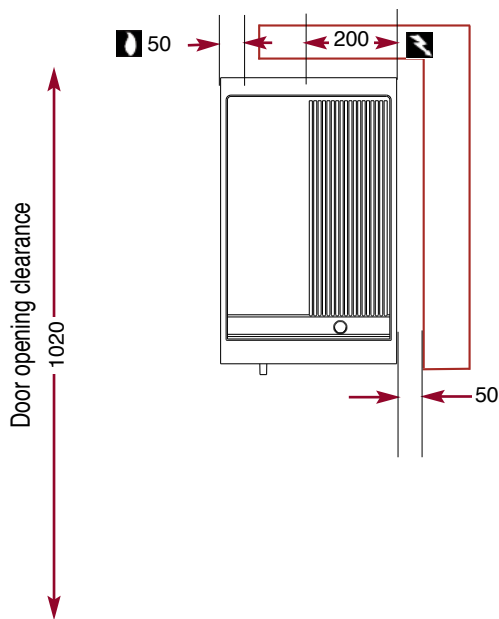
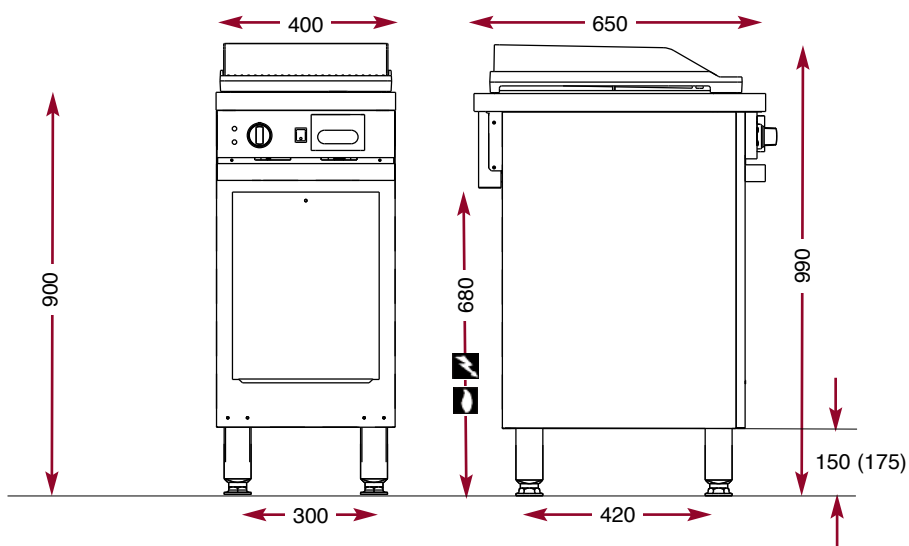
- Runners suitable for GN 1/1 containers on 3 levels, 100mm apart.

ECH 400



The Chef's Choice.

Hard chrome gas griddle, ½ smooth, ½ ribbed CMG 410 SLRC



Tiroir de récupération des graisses



The Chef's Choice.